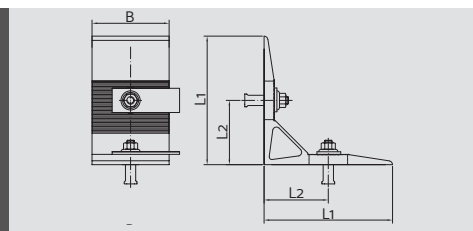
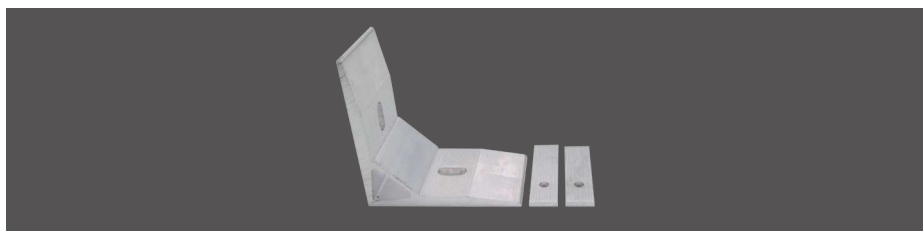


REVEAL ATTACHMENT FA WITH 2 SERRATED WASHERS



Images show L-bracket 100 x 100

L1 = leg length [mm]	L2 = centre distance [mm]	B = leg width [mm]	t = leg thickness [mm]	packaging unit [quantity]	article no.
100 x 100	50	60	8.0	100	555 500 004
100 x 100	50	60	8.0	1	555 500 014
60 x 60	35	40	5.0	250	555 500 006
60 x 60	35	40	5.0	1	555 500 016

Application

- ▶ Assembly with undercut anchors KH type BH
- ▶ For the invisible, back-sided attachment of reveal oder lintel panels.
- ▶ Natural stone
- ▶ Artificial stone
- ▶ Manufactured stone
- ▶ Ceramics
- ▶ Laminate (HPL)
- ▶ Synthetic material
- ▶ Fibre cement
- ▶ Glass ceramics

Accessories

- ▶ Undercut anchor KH BH (p. 21)
- ▶ Depth control guide (p. 56)
- ▶ Special open-ended spanner, SW9 (p. 61)
- ▶ Allen key (p. 61)
- ▶ Screw-in tool for stud bolts (p. 61)

Design



Aluminium L-bracket incl. 2 serrated washers

Instructions for use

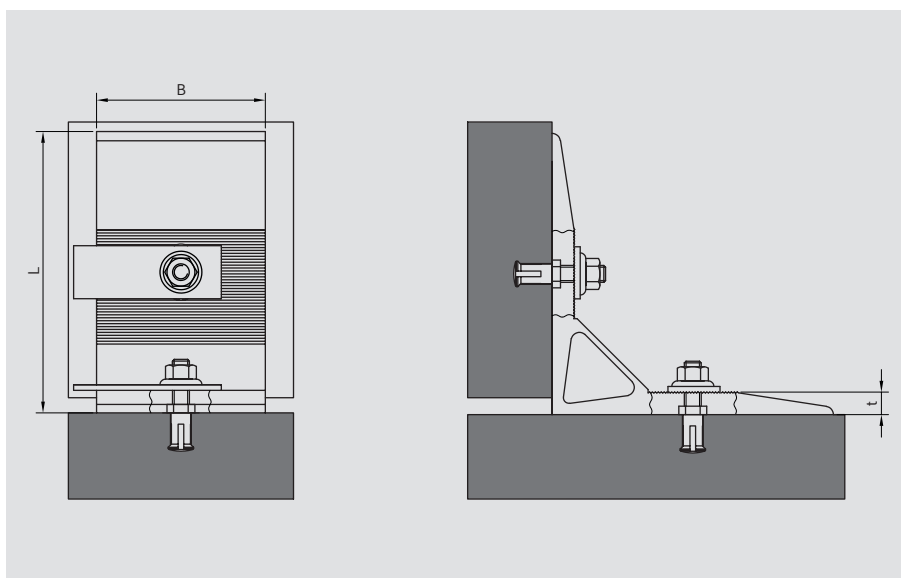
- ▶ The screwed in threaded pin must fit flush with the tip of the anchor sleeve.
- ▶ Use according to approval and KEIL assembly instructions for anchors (p. 12). Please find documents with relevance to building regulations under www.keil-fixing.de/en/approvals.

Note

- ▶ Relevant approvals and consents are available on request.
- ▶ Assembly tools (e. g. screw-in tool) on request

Product information

- ▶ KEIL offers reveal angle attachment for the attachment of jamb panels to main façade panels with the undercut anchor
- ▶ These attachments have been developed from the point of view an precise and quick assembly as well as a particularly simple handling.
- ▶ Place the jamb angle on the drilled façade panel.
- ▶ The assembly of the anchor is carried out as a pre-positioned installation with the threaded pin. The serrated washer is fixed with the ratchet nut.
- ▶ Alternatively, insert the anchor with the screw and the serrated washer through the slotted hole into the undercut hole and tighten.
- ▶ KEIL undercut anchors are monitored externally.



Rathscheck office and training building, Mayen, DE © Rathscheck Schiefer

